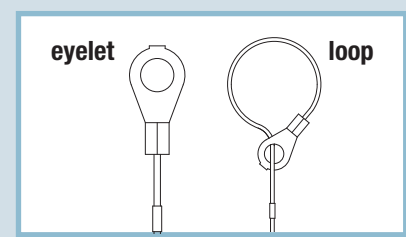
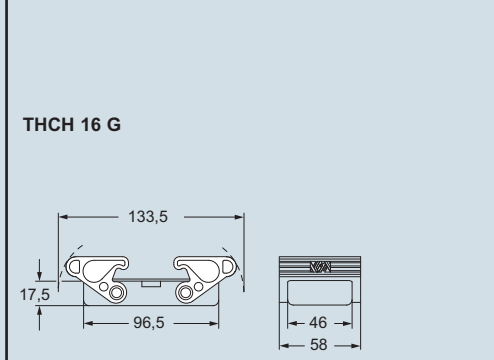
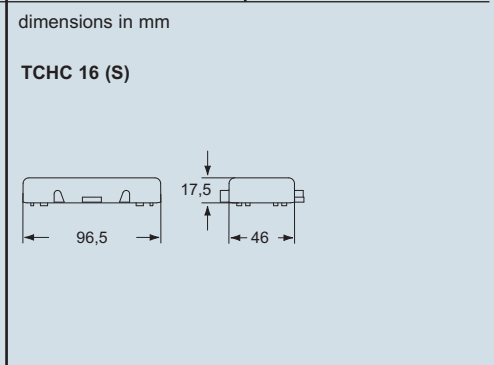
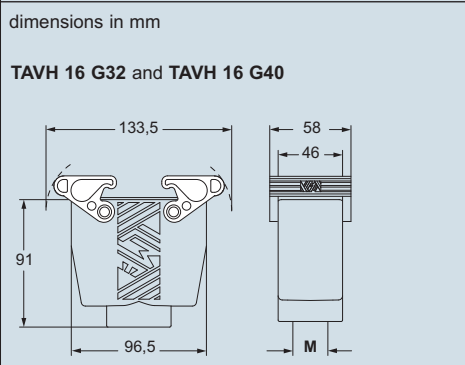
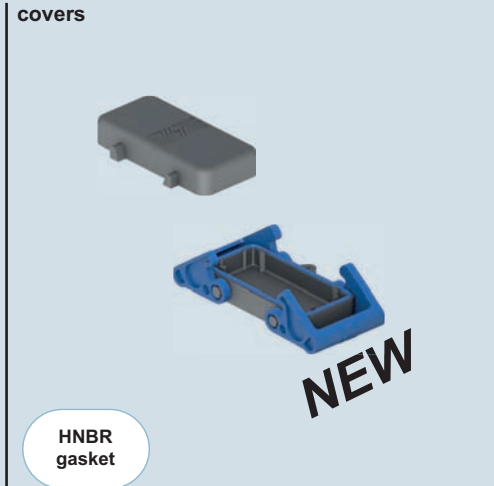


inserts:	page:	hoods with double lever top entry
CD ..... 40 poles + ⊕	57	
CDD ..... 72 poles + ⊕	70	
CDS ..... 27 poles + ⊕	80	
CSH ..... 16 poles + ⊕	93	
CNE, CSE ..... 16 poles + ⊕	106	
CCE ..... 16 poles + ⊕	112	
CSS ..... 16 poles + ⊕	124	
CT, CTSE (16A) * .. 16 poles + ⊕	132	
CQE ..... 32 poles + ⊕	140	
CQEE ..... 40 poles + ⊕	146	
CMCE ..... 6+2 (aux) poles + ⊕	150	
CME, CMSH.. 6+2 (aux) poles + ⊕	151	
CP ..... 6 poles + ⊕	162	
CX ..... 6/36 and 12/2 poles + ⊕	170-171	
CX ..... 4/0 and 4/2 poles + ⊕	172	
MIXO ..... 4 modules	179-215	

\*) only for standard insulating version THIH

insert centre distance: 77,5 x 27 mm

description	part No.	entry M	covers	
			part No. (with eyelet)	part No. (with loop)
with thermoplastic levers and gasket	TAVH 16 G32	32		
with thermoplastic levers and gasket	TAVH 16 G40	40		
with 4 pegs			TCHC 16	TCHC 16 S
with 2 thermoplastic levers and gasket				THCH 16 G



ambient temperature limits -40 °C / +70 °C

dimensions shown are not binding and may be changed without notice